



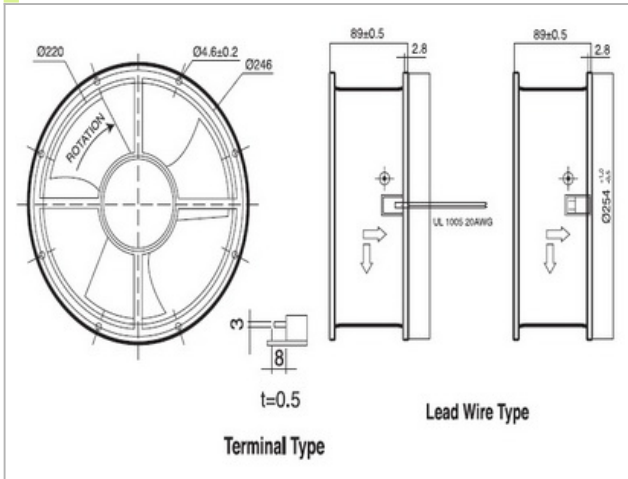
# 254Ø X89mm



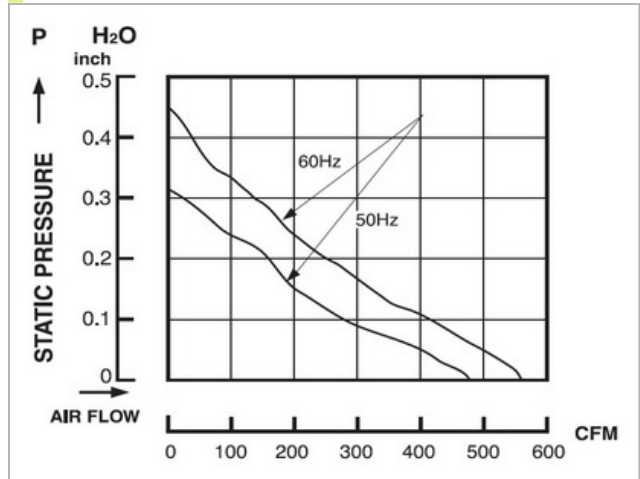
## General Specifications

Housing	Die Cast Aluminum Painted Black
Impeller	Plastic With Fiber Glass Filled UI 94V-0
Motor Type	AC Induction Capacitor
Connecting	Terminal & Wire Leads
Safety	Thermally Protected (Auto Restar)

## Dimensions:mm



## Performance



## Specifications

Model NO.	Bearing	Rated Voltage	Frequency	Speed	Airflow	Static Pressure	Current	Power	Noise
		VAC				HZ			
GF-B250H1-2P	2BALL	110/120	50/60	2200/2000	730/640	0.37/0.31	0.55/0.62	60/67	61/57
GF-B250H1	2BALL	110/120	50/60	1650/1500	460/550	0.27/0.28	0.32/0.30	35/30	48
GF-B250H2-2P	2BALL	220/240	50/60	2200/2000	730/640	0.37/0.31	0.26/0.30	60/67	61/58
GF-B250H2	2BALL	220/240	50/60	1650/1500	460/550	0.27/0.28	0.15/0.14	33/31	48