



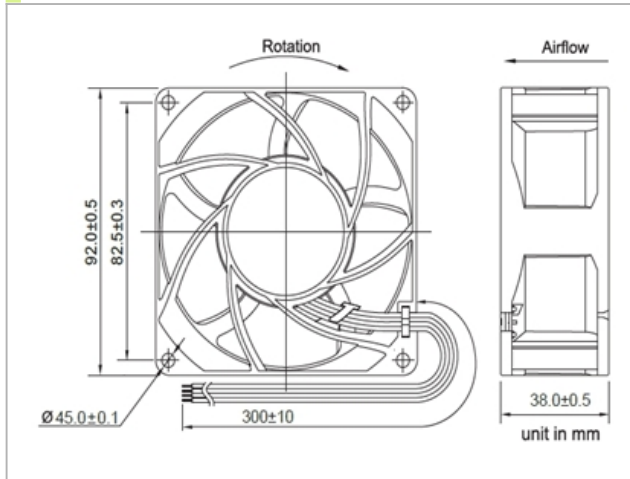
# 92X92X38mm



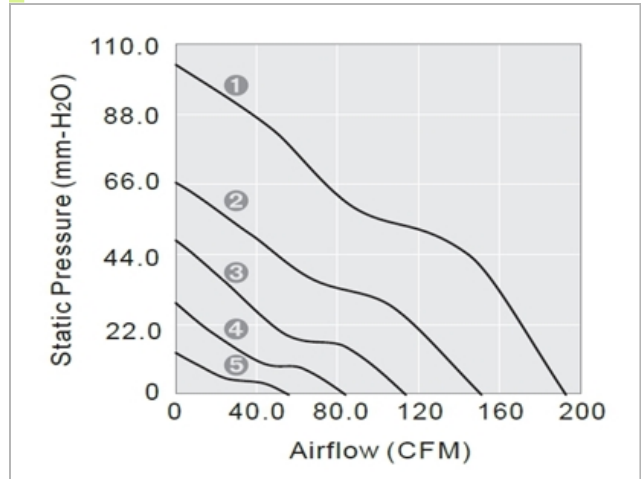
## General Specifications

Airflow	56.6~192.9 CFM
Static Pressure	13.2~103.7mm-H <sub>2</sub> O
Housing	Plastic Material UL94V-0 P.B.T.
Blade	Plastic Material UL94V-0 P.B.T.
Lead Wire	UL1061 #22 AWG

## Dimensions:mm



## Performance



## Specifications

Model NO.	Bearing	Rated Voltage	Operating Voltage Range	Speed RPM	Airflow CFM	Static Pressure mm-H <sub>2</sub> O	Current mA	Power W	Life at 40°C L10 HOUR	P-Q Curve	Noise dBA	Weight g
		VDC	VDC									
GD129238LB-E	2BALL	12	7~14.0	4000	56.6	13.2	270	3.24	80000	5	39.5	233.0
GD129238MB-E	2BALL	12	7~14.0	6000	84.6	29.1	600	7.20	80000	4	51.5	233.0
GD129238HB-E	2BALL	12	7~14.0	8000	113.6	48.9	1100	13.20	75000	3	57.5	233.0
GD129238EB-E	2BALL	12	7~14.0	10500	150.9	66.9	2400	28.80	65000	2	65.0	233.0
GD129238UB-E	2BALL	12	7~14.0	12500	184.5	79.0	4400	52.80	65000	1	67.5	233.0
GD249238LB-E	2BALL	24	10~30.0	4000	56.6	13.2	180	4.32	80000	5	39.5	233.0
GD249238MB-E	2BALL	24	10~30.0	6000	84.6	29.1	320	7.68	80000	4	51.5	233.0
Gd249238HB-E	2BALL	24	10~30.0	8000	113.6	48.9	540	12.96	75000	3	57.5	233.0
GD249238EB-E	2BALL	24	10~30.0	10500	150.9	66.9	1050	25.20	65000	2	68.5	233.0
GD249238UB-E	2BALL	24	10~30.0	13500	192.9	103.7	2200	52.80	65000	1	68.5	233.0
GD489238LB-E	2BALL	48	24~75.0	4000	56.6	13.2	80	3.84	80000	5	39.5	233.0
GD489238MB-E	2BALL	48	24~75.0	6000	84.6	29.1	180	8.64	80000	4	51.5	233.0
GD489238HB-E	2BALL	48	24~75.0	8000	113.6	48.9	280	13.44	75000	3	57.5	233.0
GD489238EB-E	2BALL	48	24~75.0	10500	150.9	66.9	540	25.92	65000	2	65.0	233.0
GD489238UB-E	2BALL	48	24~75.0	13500	192.9	103.7	1100	52.80	65000	1	68.5	233.0