



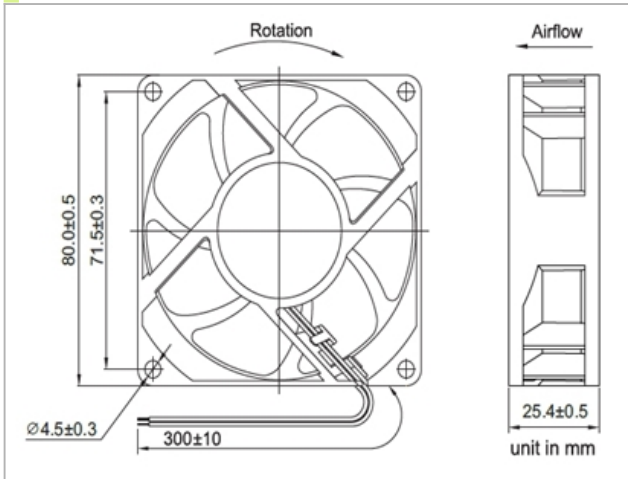
80X80X25mm



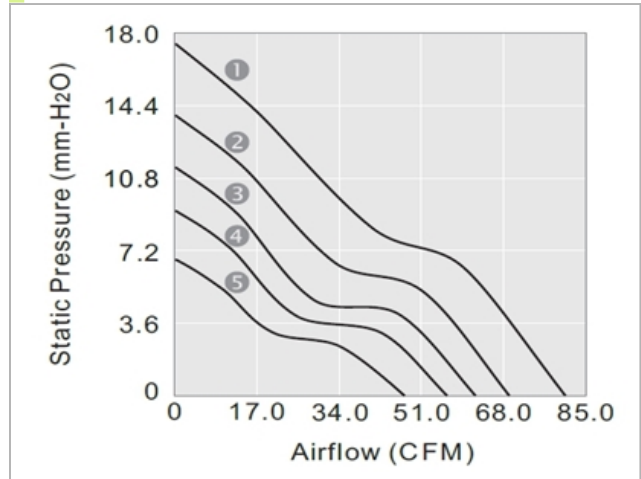
General Specifications

Airflow	47.4~80.0 CFM
Static Pressure	6.8~17.2 mm-H ₂ O
Housing	Plastic Material UL 94V-0 P.B.T.
Blade	Plastic Material UL 94V-0 P.B.T.
Lead Wire	UL1007 #24 AWG

Dimensions:mm



Performance



Specifications

Model NO.	Bearing	Rated Voltage	Operating Voltage Range	Speed RPM	Airflow CFM	Static Pressure mm-H ₂ O	Current mA	Power W	Life at 40°C L10 HOUR	P-Q Curve	Noise dBA	Weight g
		VDC	VDC									
GD128025LB-H	2BALL	12	7~13.2	3800	47.4	6.8	180	2.16	80000	5	39.5	103.5
GD128025MB-H	2BALL	12	7~13.2	4400	55.7	9.0	260	3.12	80000	4	43.5	103.5
GD128025HB-H	2BALL	12	7~13.2	5000	62.3	11.3	330	3.96	75000	3	46.7	103.5
GD128025EB-H	2BALL	12	7~13.2	5600	70.0	14.2	480	5.76	65000	2	50.0	103.5
GD128025EB-H	2BALL	12	7~13.2	6200	80.0	17.2	600	7.20	65000	1	53.5	103.5
GD248025LB-H	2BALL	24	12~26.4	3800	47.4	6.8	100	2.40	80000	5	39.5	103.5
GD248025MB-H	2BALL	24	12~26.4	4400	55.7	9.0	130	3.12	80000	4	43.5	103.5
GD248025HB-H	2BALL	24	12~26.4	5000	62.3	11.3	180	4.32	75000	3	46.7	103.5
GD248025EB-H	2BALL	24	12~26.4	5600	70.0	14.2	220	52.8	65000	2	50.0	103.5
GD248025EB-H	2BALL	24	12~26.4	6200	80.0	17.2	330	7.92	65000	1	53.5	103.5
GD488025LB-H	2BALL	48	24~56.0	3800	47.4	6.8	65	3.12	80000	5	39.5	103.5
GD488025MB-H	2BALL	48	24~56.0	4400	55.7	9.0	85	4.08	80000	4	43.5	103.5
GD488025HB-H	2BALL	48	24~56.0	5000	62.3	11.3	100	4.80	75000	3	46.7	103.5
GD488025EB-H	2BALL	48	24~56.0	5600	70.0	14.2	130	6.24	65000	2	50.0	103.5
GD488025EB-H	2BALL	48	24~56.0	6200	80.0	17.2	160	7.68	65000	1	53.5	103.5