



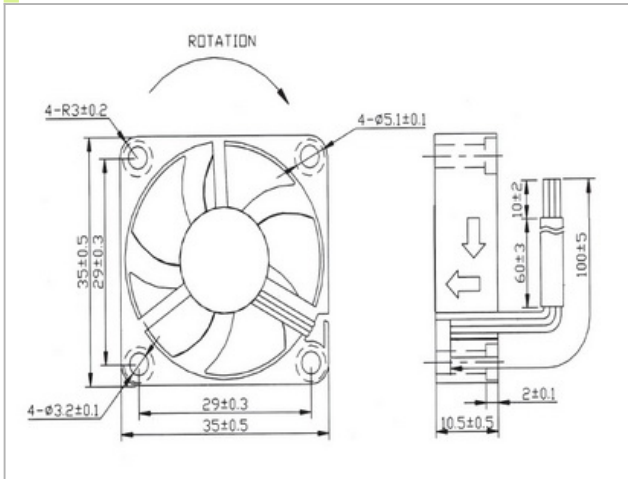
# 35X35X10mm



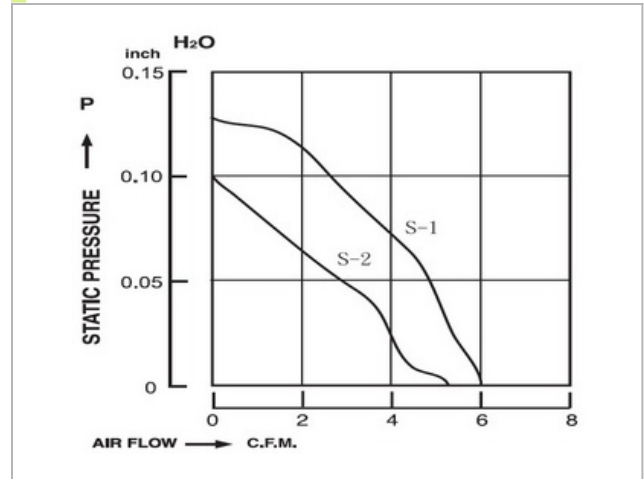
## General Specifications

Airflow	5.1~6 CFM
Static Pressure	0.10~0.13 Inch-H2O
Housing	Plastic With Fiber Glass Filled UL 94V-0
Impeller	Plastic With Fiber Glass Filled UI 94V-0
Connecting	Wire Leads

## Dimensions:mm



## Performance



## Specifications

Model NO.	Bearing	Rated Voltage	Speed RPM	Airflow	Static Pressure	Current A	Power W	Noise dBA
		VDC		CFM	Inch-H2O			
GD053510HB-COM	2BALL	5	8000	6	0.13	0.17	0.85	30
GD123510HB-COM	2BALL	12	8000	6	0.13	0.09	1.08	30
GD053510MB-COM	2BALL	5	7000	5.1	0.10	0.12	0.6	27.5
GD123510MB-COM	2BALL	12	7000	5.10	0.10	0.08	0.96	27.5