

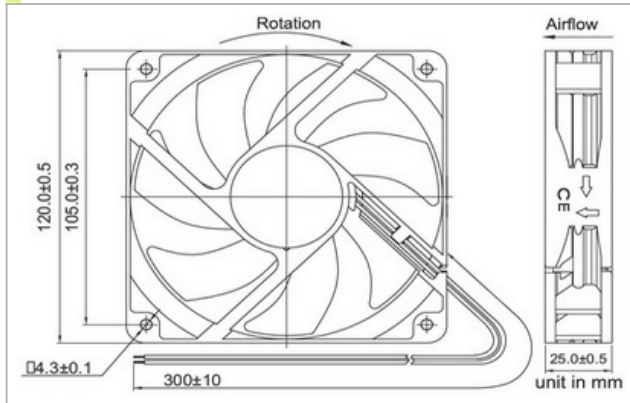
120X120X25mm



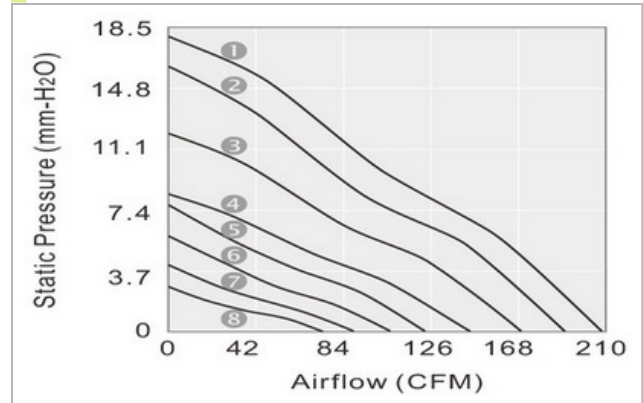
General Specifications

Airflow	73.0~208.4 CFM
Static Pressure	2.6~18.0 mm-H ₂ O
Blade	Plastic Material UL 94V-0 P.B.T.
Frame	Plastic Material UL 94V-0 P.B.T.
Lead Wire	UL1007 #22 AWG

Dimensions:mm



Performance



Specifications

Model NO.	Bearing	Rated Voltage	Operating Voltage Range	Speed RPM	Airflow CFM	Static Pressure mm-H ₂ O	Current mA	Power W	Life at 40°C L10 HOUR	P-Q Curve	Noise dBA	Weight g
		VDC	VDC									
GD121225LB	2BALL	12	7~13.2	1800	73.0	2.6	180	2.16	80000	8	34.0	160
GD121225MB	2BALL	12	7~13.2	2200	87.8	3.9	290	3.48	80000	7	40.5	160
GD121225HB	2BALL	12	7~13.2	2600	106.1	5.8	460	5.52	75000	6	44.0	160
GD121225EB	2BALL	12	7~13.2	3000	123.1	7.6	570	6.84	65000	5	49.0	160
GD121225EB	2BALL	12	7~13.2	3500	144.6	8.4	650	7.80	65000	4	51.5	160
GD121225EB	2BALL	12	7~13.2	4100	169.5	12.0	950	11.40	65000	3	55.0	160
GD121225UB	2BALL	12	7~13.2	4600	190.2	16.2	1300	15.60	65000	2	57.5	160
GD121225SB	2BALL	12	7~13.2	5200	208.4	18.0	1900	22.80	60000	1	59.5	160
GD241225LB	2BALL	24	12~26.4	1800	73.0	2.6	100	2.40	80000	8	34.0	160
GD241225MB	2BALL	24	12~26.4	2200	87.8	3.9	160	3.84	80000	7	40.5	160
GD241225HB	2BALL	24	12~26.4	2600	106.1	5.8	280	6.72	75000	6	44.0	160
GD241225EB	2BALL	24	12~26.4	3000	123.1	7.6	360	8.64	65000	5	49.0	160
GD241225EB	2BALL	24	12~26.4	3500	144.6	8.4	380	9.12	65000	4	51.5	160
GD241225EB	2BALL	24	12~26.4	4100	169.5	12.0	600	14.4	65000	3	55.0	160
GD241225UB	2BALL	24	12~26.4	4600	190.2	16.2	660	15.84	65000	2	57.5	160
GD241225SB	2BALL	24	12~26.4	5200	208.4	18.0	1000	24.0	60000	1	59.5	160
GD481225LB	2BALL	48	24~56.0	1800	73.0	2.6	70	3.36	80000	8	34.0	160
GD481225MB	2BALL	48	24~56.0	2200	87.8	3.9	75	3.60	80000	7	40.5	160
GD481225HB	2BALL	48	24~56.0	2600	106.1	5.8	130	6.24	75000	6	44.0	160
GD481225EB	2BALL	48	24~56.0	3000	123.1	7.6	190	9.12	65000	5	49.0	160
GD481225EB	2BALL	48	24~56.0	3500	144.6	8.4	200	9.60	65000	4	51.5	160
GD481225UB	2BALL	48	24~56.0	4600	190.2	16.2	330	15.84	65000	2	57.5	160
GD481225SB	2BALL	48	24~56.0	5200	208.4	18.0	520	24.96	60000	1	59.5	160