



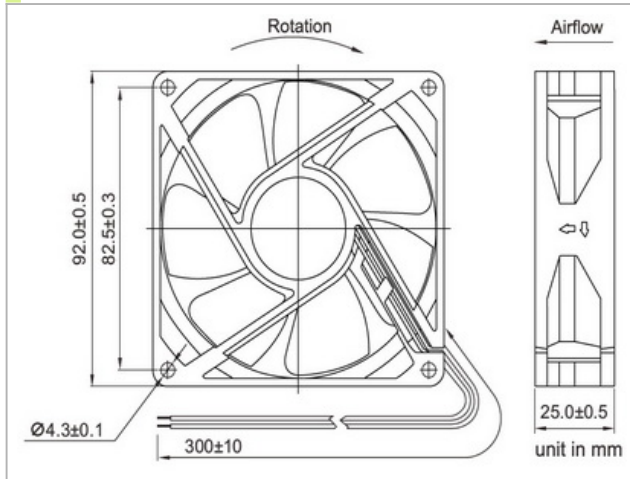
# 92X92X25mm



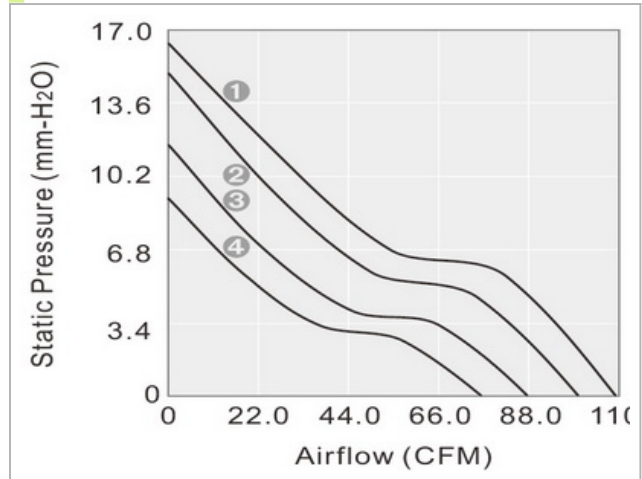
## General Specifications

Airflow	76.2~109.3 CFM
Static Pressure	9.2~16.4 mm-H <sub>2</sub> O
Housing	Plastic Material UL 94V-0 P.B.T.
Blade	Plastic Material UL 94V-0 P.B.T.
Lead Wire	UL1007 #24 AWG

## Dimensions:mm



## Performance



## Specifications

Model NO.	Bearing	Rated Voltage	Operating Voltage Range	Speed	Airflow	Static Pressure	Current	Power	Life at 40°C L10	P-Q Curve	Noise	Weight
		VDC	VDC									
GD129225LB-S	2BALL	12	7~13.2	3800	76.2	9.2	350	4.20	80000	4	44.0	117.6
GD129225MB-S	2BALL	12	7~13.2	4300	87.8	11.6	450	5.40	80000	3	47.0	117.6
GD129225HB-S	2BALL	12	7~13.2	4800	100.3	15.0	650	7.80	75000	2	49.0	117.6
GD129225EB-S	2BALL	12	7~13.2	5300	109.3	16.4	900	10.8	65000	1	51.0	117.6
GD249225LB-S	2BALL	24	12~26.4	3800	76.2	9.2	190	4.56	80000	4	44.0	117.6
GD249225MB-S	2BALL	24	12~26.4	4300	87.8	11.6	260	6.24	80000	3	47.0	117.6
GD249225HB-S	2BALL	24	12~26.4	4800	100.3	15.0	350	8.40	75000	2	49.0	117.6
GD249225EB-S	2BALL	24	12~26.4	5300	109.3	16.4	450	10.8	65000	1	51.0	117.6
GD489225LB-S	2BALL	48	24~56.0	3800	76.2	9.2	110	5.28	80000	4	44.0	117.6
GD489225MB-S	2BALL	48	24~56.0	4300	87.8	11.6	130	6.24	80000	3	47.0	117.6
GD489225HB-S	2BALL	48	24~56.0	4800	100.3	15.0	170	8.16	75000	2	49.0	117.6
GD489225EB-S	2BALL	48	24~56.0	5300	109.3	16.4	220	10.6	65000	1	51.0	117.6