



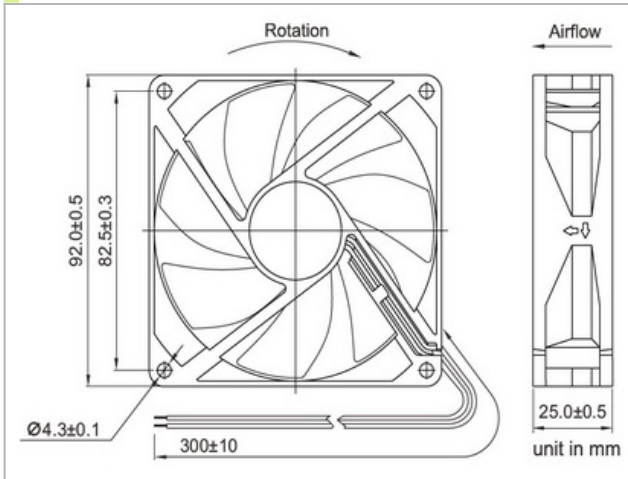
92X92X25mm



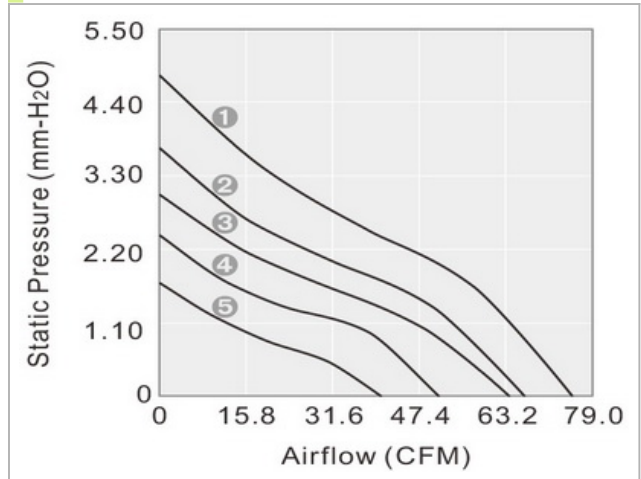
General Specifications

Airflow	38.1~75.0 CFM
Static Pressure	1.5~4.8 mm-H2O
Housing	Plastic Material UL 94V-0 P.B.T.
Blade	Plastic Material UL 94V-0 P.B.T.
Lead Wire	UL1007 #24 AWG

Dimensions:mm



Performance



Specifications

Model NO.	Bearing	Rated Voltage VDC	Operating Voltage Range VDC	Speed RPM	Airflow CFM	Static Pressure mm-H2O	Current mA	Power W	Life at 40°C L10 HOUR	P-Q Curve	Noise dBA	Weight g
GD129225LS-N	SLEEVE	12	7~13.2	1800	38.1	1.5	100	1.20	30000	5	25.0	100
GD129225MS-N	SLEEVE	12	7~13.2	2300	48.7	2.2	160	1.92	30000	4	32.0	100
GD129225HS-N	SLEEVE	12	7~13.2	2700	61.4	2.7	200	2.40	25000	3	36.5	100
GD129225ES-N	SLEEVE	12	7~13.2	3000	63.1	3.3	260	3.12	20000	2	39.0	100
GD129225LB-N	2BALL	12	7~13.2	1900	40.2	1.7	100	1.20	80000	5	25.0	100
GD129225MB-N	2BALL	12	7~13.2	2400	50.8	2.4	160	1.92	80000	4	33.0	100
GD129225HB-N	2BALL	12	7~13.2	2800	63.7	3.0	230	2.76	75000	3	37.5	100
GD129225EB-N	2BALL	12	7~13.2	3100	66.3	3.7	260	3.12	65000	2	40.0	100
GD129225EB-N	2BALL	12	7~13.2	3500	75.0	4.8	360	4.32	65000	1	42.5	100
GD249225LB-N	2BALL	24	12~26.4	1900	40.2	1.7	60	1.44	80000	5	25.0	100
GD249225MB-N	2BALL	24	12~26.4	2400	50.8	2.4	80	1.92	80000	4	33.0	100
GD249225HB-N	2BALL	24	12~26.4	2800	63.7	3.0	130	3.12	75000	3	37.5	100
GD249225EB-N	2BALL	24	12~26.4	3600	81.9	3.9	190	4.56	65000	1	47.5	100
GD489225LB-N	2BALL	48	24~56.0	1900	40.2	1.7	30	1.44	80000	5	25.0	100
GD489225MB-N	2BALL	48	24~56.0	2400	50.8	2.4	55	2.64	80000	4	33.0	100
GD489225HB-N	2BALL	48	24~56.0	2800	63.7	3.0	70	3.36	75000	3	37.5	100