



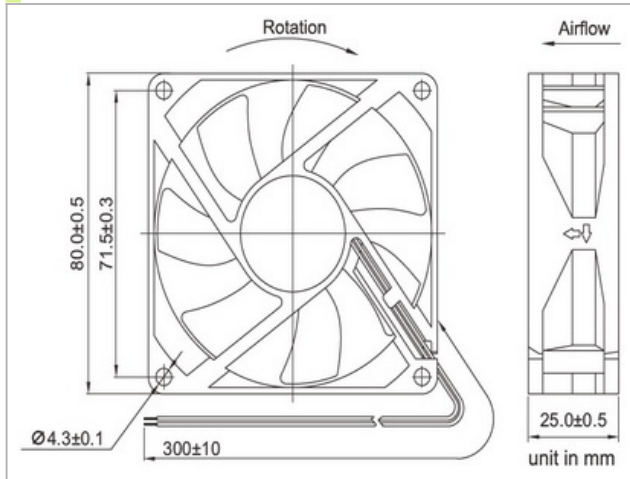
# 80X80X25mm



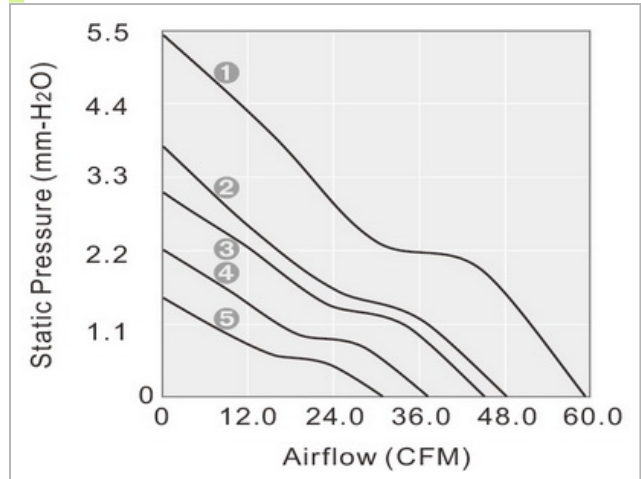
## General Specifications

Airflow	27.9~59.8 CFM
Static Pressure	1.3~5.4 mm-H2O
Housing	Plastic Material UL 94V-0 P.B.T.
Blade	Plastic Material UL 94V-0 P.B.T.
Lead Wire	UL1007 #24 AWG

## Dimensions:mm



## Performace



## Specifications

Model NO.	Bearing	Rated Voltage VDC	Operating Voltage Range VDC	Speed RPM	Airflow CFM	Static Pressure mm-H2O	Current mA	Power W	Life at 40°C L10 HOUR	P-Q Curve	Noise dBA	Weight g
GD128025LS	SLEEVE	12	7~13.2	1900	27.9	1.3	100	1.20	30000	5	22.5	88
GD128025MS	SLEEVE	12	7~13.2	2400	35.4	2.1	160	1.92	30000	4	27.5	88
GD128025HS	SLEEVE	12	7~13.2	2900	43.7	2.9	230	2.76	25000	3	33.5	88
GD128025ES	SLEEVE	12	7~13.2	3200	47.4	3.6	260	3.12	20000	2	36.0	88
GD128025LB	2BALL	12	7~13.2	2000	30.0	1.5	100	1.20	80000	5	23.5	88
GD128025MB	2BALL	12	7~13.2	2500	37.0	2.1	160	1.92	80000	4	30.0	88
GD128025HB	2BALL	12	7~13.2	3000	45.2	3.1	230	2.76	75000	3	34.5	88
GD128025EB	2BALL	12	7~13.2	3300	48.5	3.8	260	3.12	65000	2	37.0	88
GD128025EB	2BALL	12	7~13.2	4000	59.8	5.4	450	5.40	65000	1	43.0	88
GD248025LB	2BALL	24	12~26.4	2000	30.0	1.5	60	1.44	80000	5	23.5	88
GD248025MB	2BALL	24	12~26.4	2500	37.0	2.2	80	1.92	80000	4	30.0	88
GD248025HB	2BALL	24	12~26.4	3000	45.2	3.1	130	3.12	75000	3	34.5	88
GD248025EB	2BALL	24	12~26.4	3300	48.5	3.8	150	3.60	65000	2	37.0	88
GD488025LB	2BALL	48	24~56.0	2000	30.0	1.5	30	1.44	80000	5	23.5	88
GD488025MB	2BALL	48	24~56.0	2500	37.0	2.2	50	2.40	80000	4	30.0	88
GD488025HB	2BALL	48	24~56.0	3000	45.2	3.1	90	4.08	75000	3	34.5	88
GD488025EB	2BALL	48	24~56.0	3300	48.5	3.8	110	5.28	65000	2	37.0	88