



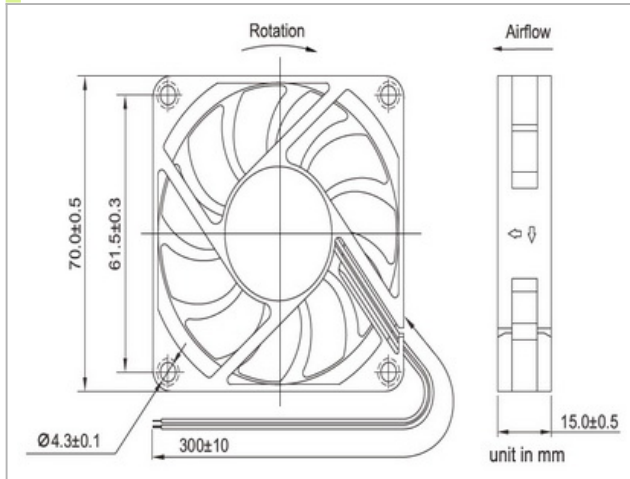
# 70X70X15mm



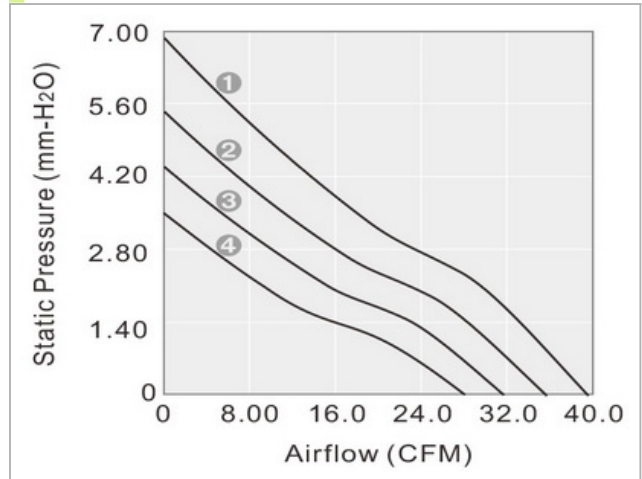
## General Specifications

Airflow	27.9~39.5 CFM
Static Pressure	3.5~6.8 mm-H2O
Housing	Plastic Material UL 94V-0 P.B.T.
Blade	Plastic Material UL 94V-0 P.B.T.
Lead Wire	UL1007 #26 AWG

## Dimensions:mm



## Performance



## Specifications

Model NO.	Bearing	Rated Voltage VDC	Operating Voltage Range VDC	Speed RPM	Airflow CFM	Static Pressure mm-H2O	Current mA	Power W	Life at 40°C L10 HOUR	P-Q Curve	Noise dBA	Weight g
GD127015LB	2BALL	12	7~13.2	3800	27.9	3.5	130	1.56	80000	4	34.0	54
GD127015MB	2BALL	12	7~13.2	4300	31.6	4.4	190	2.28	80000	3	39.0	54
GD127015HB	2BALL	12	7~13.2	4800	35.3	5.4	260	3.12	75000	2	41.5	54
GD127015EB	2BALL	12	7~13.2	5500	39.5	6.8	400	4.80	65000	1	45.5	54
GD127015LS	SLEEVE	12	7~13.2	3800	27.9	3.5	160	1.86	30000	4	34.0	54
GD127015MS	SLEEVE	12	7~13.2	4300	31.6	4.4	220	2.64	30000	3	39.0	54
GD127015HS	SLEEVE	12	7~13.2	4800	35.3	5.4	280	3.36	25000	2	41.5	54