



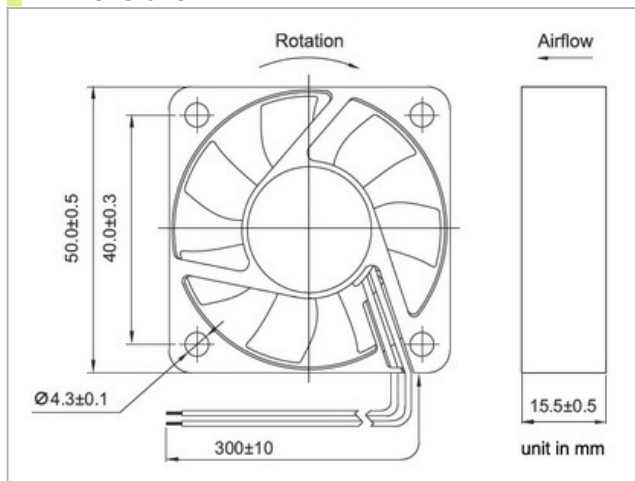
50X50X15mm



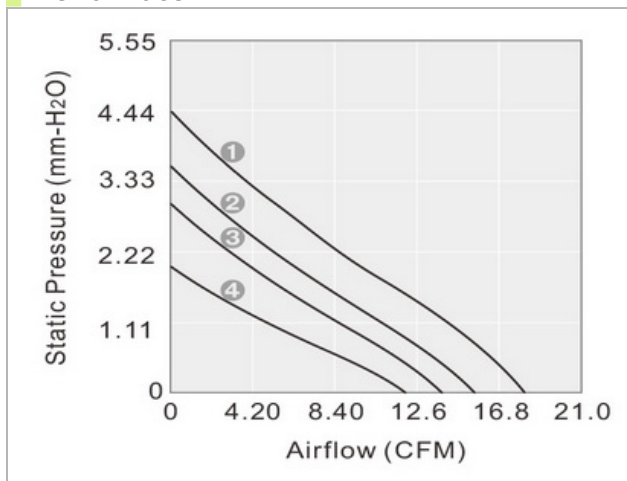
General Specifications

Airflow	12.0~17.1 CFM
Static Pressure	2.0~4.4 mm-H2O
Housing	Plastic Material UL 94V-0 P.B.T.
Blade	Plastic Material UL 94V-0 P.B.T.
Lead Wire	UL1007 #26 AWG

Dimensions:mm



Performance



Specifications

Model NO.	Bearing	Rated Voltage VDC	Operating Voltage Range VDC	Speed RPM	Airflow CFM	Static Pressure mm-H2O	Current mA	Power W	Life at 40°C L10 HOUR	P-Q Curve	Noise dBA	Weight g
GD055015LB	2BALL	5	4~5.5	3800	12.0	2.0	180	0.90	80000	4	24.5	27
GD055015MB	2BALL	5	4~5.5	4500	13.1	3.2	250	1.25	80000	3	29.5	27
GD055015HB	2BALL	5	4~5.5	5000	15.5	3.6	285	1.43	75000	2	31.5	27
GD125015LB	2BALL	12	7~13.2	3800	12.0	2.0	85	1.02	80000	4	24.5	27
GD125015MB	2BALL	12	7~13.2	4500	13.1	3.2	130	1.56	80000	3	30.0	27
GD125015HB	2BALL	12	7~13.2	5000	15.5	3.6	170	2.04	75000	2	31.5	27
GD125015EB	2BALL	12	7~13.2	5500	17.1	4.4	220	2.64	65000	1	36.5	27
GD245015LB	2BALL	24	12~26.4	3800	12.0	2.0	70	1.68	80000	4	24.5	27
GD245015MB	2BALL	24	12~26.4	4500	13.1	3.2	80	1.92	80000	3	30.0	27
GD245015HB	2BALL	24	12~26.4	5000	15.5	3.6	90	2.16	75000	2	31.5	27
GD245015EB	2BALL	24	12~26.4	5500	17.1	4.4	110	2.64	65000	1	36.5	27