



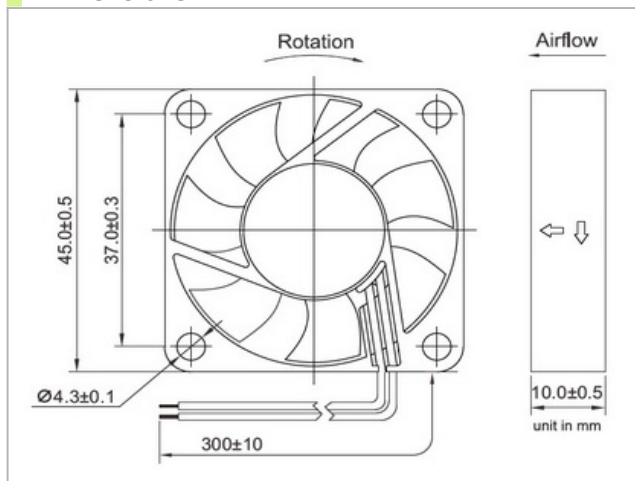
45X45X10mm



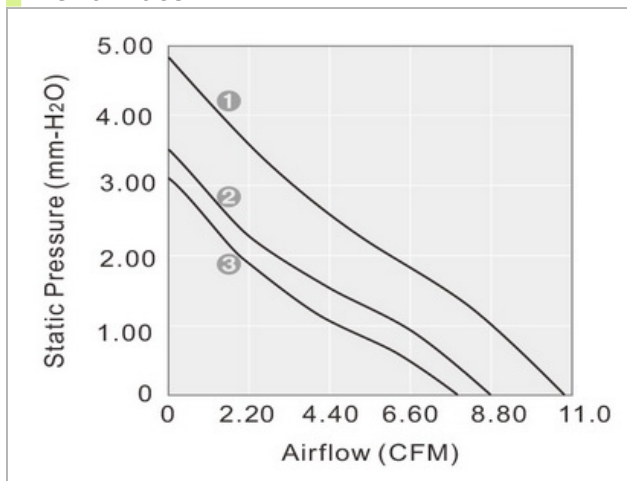
General Specifications

Airflow	8.0~10.3 CFM
Static Pressure	2.5~4.8 mm-H2O
Housing	Plastic Material UL 94V-0 P.B.T.
Blade	Plastic Material UL 94V-0 P.B.T.
Lead Wire	UL1007 #26 AWG

Dimensions:mm



Performance



Specifications

Model NO.	Bearing	Rated Voltage VDC	Operating Voltage Range VDC	Speed RPM	Airflow CFM	Static Pressure mm-H2O	Current mA	Power W	Life at 40°C L10 HOUR	P-Q Curve	Noise dBA	Weight g
GD054510LS	SLEEVE	5	4~5.5	4900	7.6	2.5	150	0.75	30000	3	28.5	17
GD054510MS	SLEEVE	5	4~5.5	5300	8.5	3.0	170	0.85	30000	2	30.5	17
GD054510HS	SLEEVE	5	4~5.5	6300	10.0	4.0	240	1.20	25000	1	35.5	17
GD054510LB	2BALL	5	4~5.5	5100	8.49	3.1	150	0.75	80000	3	29.0	17
GD054510MB	2BALL	5	4~5.5	5500	8.7	3.4	170	0.85	80000	2	31.5	17
GD054510HB	2BALL	5	4~5.5	6500	10.3	4.8	240	1.20	75000	1	37.0	17
GD124510LS	SLEEVE	12	7~13.2	4900	7.6	2.5	90	1.08	30000	3	28.5	17
GD124510MS	SLEEVE	12	7~13.2	5300	8.5	3.0	120	1.44	30000	2	30.5	17
GD124510HS	SLEEVE	12	7~13.2	6300	10.0	4.0	140	1.68	25000	1	35.5	17
GD124510LB	2BALL	12	7~13.2	5100	8.49	3.1	90	1.08	80000	3	29.0	17
GD124510MB	2BALL	12	7~13.2	5500	8.7	3.4	120	1.44	80000	2	31.5	17
GD124510HB	2BALL	12	7~13.2	6500	10.3	4.8	140	1.68	75000	1	37.0	17