



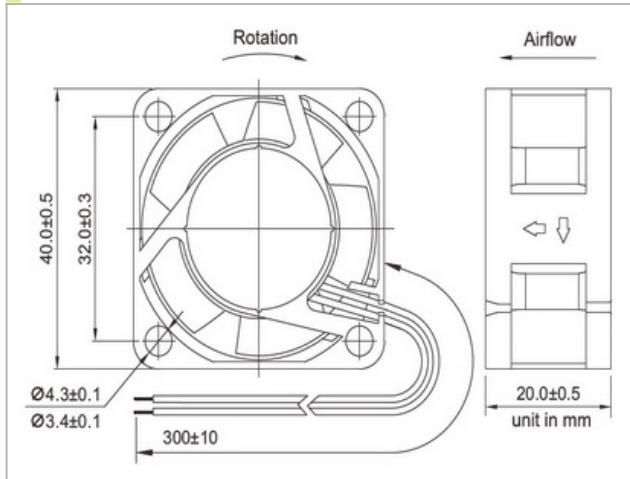
# 40X40X20mm



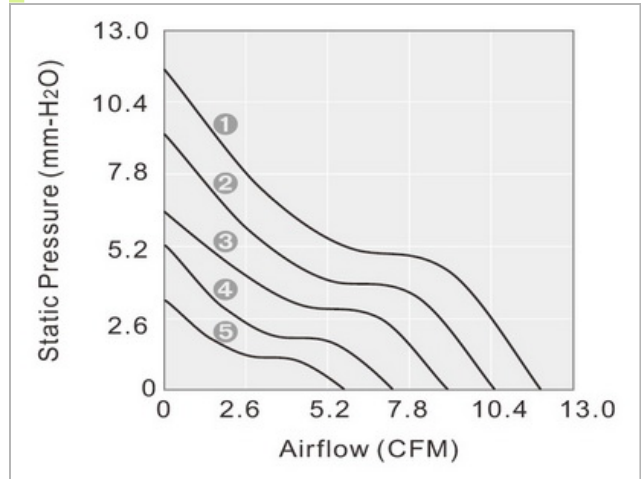
## General Specifications

Airflow	5.7~12.0 CFM
Static Pressure	3.2~11.5 mm-H <sub>2</sub> O
Housing	Plastic Material UL 94V-0 P.B.T.
Blade	Plastic Material UL 94V-0 P.B.T.
Lead Wire	UL1007 #26 AWG

## Dimensions:mm



## Performace



## Specifications

Model NO.	Bearing	Rated Voltage	Operating Voltage Range	Speed RPM	Airflow CFM	Static Pressure mm-H <sub>2</sub> O	Current mA	Power W	Life at 40°C L10 HOUR	P-Q Curve	Noise dBA	Weight g
		VDC	VDC									
GD054020LL-H	Sintetico	5	4~5.5	5000	5.7	3.2	250	1.25	50000	5	20.0	24
GD054020ML-H	Sintetico	5	4~5.5	6300	7.2	5.2	350	1.75	80000	4	25.5	24
GD054020HL-H	Sintetico	5	4~5.5	7600	9.0	6.4	530	2.65	75000	3	29.5	24
GD124020LB-H	2BALL	12	7~13.2	5000	5.7	3.2	70	0.84	80000	5	20.0	24
GD124020MB-H	2BALL	12	7~13.2	6300	7.2	5.2	100	1.20	80000	4	25.5	24
GD124020HB-H	2BALL	12	7~13.2	7600	9.0	6.4	140	1.68	75000	3	29.5	24
GD124020EB-H	2BALL	12	7~13.2	8900	10.5	9.2	170	2.04	65000	2	33.5	24
GD124020UB-H	2BALL	12	7~13.2	10000	12.0	11.5	210	2.52	65000	1	37.5	24
GD244020LB-H	2BALL	24	12~26.4	5000	5.7	3.2	40	0.96	80000	5	20.0	24
GD244020MB-H	2BALL	24	12~26.4	6300	7.2	5.2	50	1.20	80000	4	25.5	24
GD244020HB-H	2BALL	24	12~26.4	7600	9.0	6.4	70	1.68	75000	3	29.5	24
GD244020EB-H	2BALL	24	12~26.4	8900	10.5	9.2	100	2.40	65000	2	33.5	24
GD244020UB-H	2BALL	24	12~26.4	10000	12.0	11.5	130	3.12	65000	1	37.5	24