



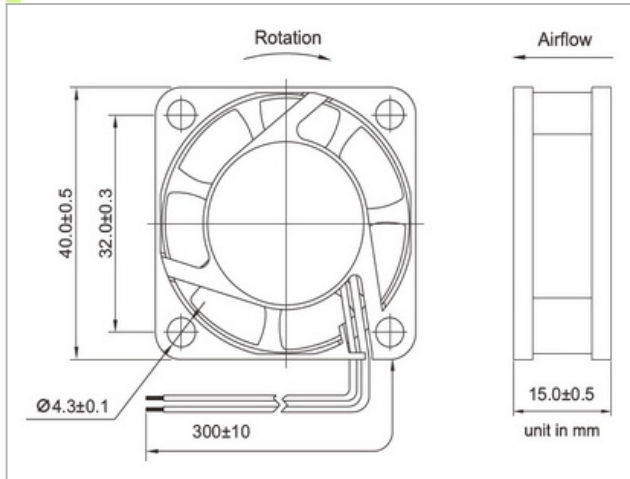
40X40X15mm



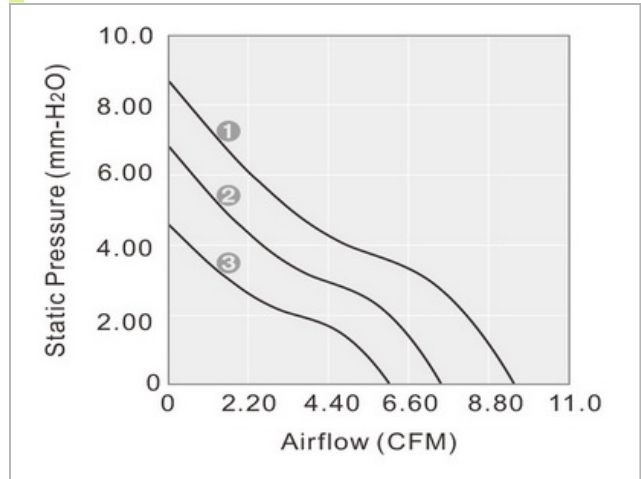
General Specifications

Airflow	6.1~9.5 CFM
Static Pressure	4.6~8.7 mm-H2O
Housing	Plastic Material UL 94V-0 P.B.T.
Blade	Plastic Material UL 94V-0 P.B.T.
Lead Wire	UL1007 #26 AWG

Dimensions:mm



Performance



Specifications

Model NO.	Bearing	Rated Voltage VDC	Operating Voltage Range VDC	Speed RPM	Airflow CFM	Static Pressure mm-H2O	Current mA	Power W	Life at 40°C L10 HOUR	P-Q Curve	Noise dBA	Weight g
GD054015LB	2BALL	5	4~5.5	6000	6.1	4.6	200	1.00	80000	3	28.0	26
GD054015MB	2BALL	5	4~5.5	7300	7.5	6.8	280	1.40	80000	2	32.0	26
GD124015LB	2BALL	12	7~13.2	6000	6.1	4.6	70	0.84	80000	3	28.0	26
GD124015MB	2BALL	12	7~13.2	7300	7.5	6.8	110	1.22	80000	2	32.0	26
GD124015HB	2BALL	12	7~13.2	8600	9.5	8.7	160	1.92	75000	1	36.5	26
GD124015LS	SLEEVE	12	7~13.2	5800	5.8	4.2	80	0.96	30000	3	24.5	26
GD124015MS	SLEEVE	12	7~13.2	7300	7.5	6.8	100	1.20	30000	2	32.0	26
GD124015HS	SLEEVE	12	7~13.2	8600	9.5	8.7	140	1.68	25000	1	36.5	26