



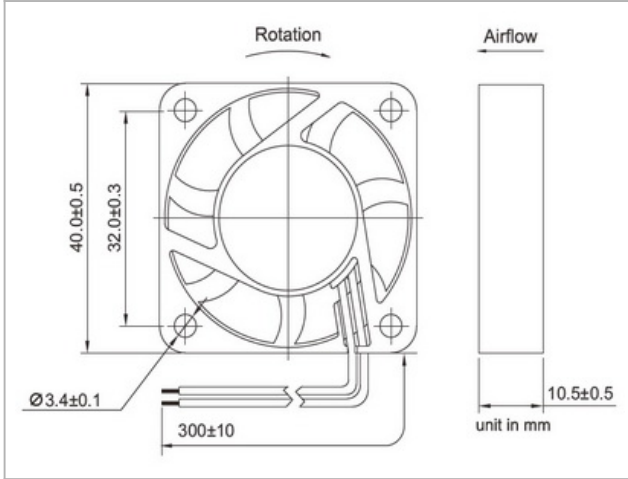
40X40X10mm



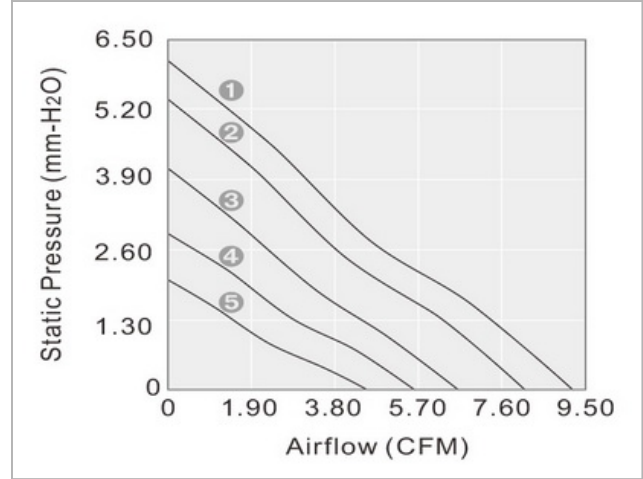
General Specifications

Airflow	4.5~9.2 CFM
Static Pressure	2.0~6.4 mm-H2O
Housing	Plastic Material UL 94V-0 P.B.T.
Blade	Plastic Material UL 94V-0 P.B.T.
Lead Wire	UL1007 #26 AWG

Dimensions:mm



Performance



Specifications

Model NO.	Bearing	Rated Voltage VDC	Operating Voltage Range VDC	Speed RPM	Airflow CFM	Static Pressure mm-H2O	Current mA	Power W	Life at 40°C L10 HOUR	P-Q Curve	Noise dBA	Weight g
GD054010LB	2BALL	5	4~5.5	4500	4.5	2.0	90	0.45	80000	5	21.5	15
GD054010MB	2BALL	5	4~5.5	5500	5.6	2.9	130	0.65	80000	4	26.5	15
GD054010HB	2BALL	5	4~5.5	6500	6.6	4.1	170	0.85	75000	3	29.0	15
GD054010EB	2BALL	5	4~5.5	7500	8.1	5.4	250	1.25	65000	2	34.5	15
GD054010EB	2BALL	5	4~5.5	8000	8.5	6.1	300	1.50	65000	0	36.5	15
GD124010LB	2BALL	12	7~13.2	4500	4.5	2.0	45	0.54	80000	5	21.5	15
GD124010MB	2BALL	12	7~13.2	5500	5.3	2.9	65	0.78	80000	4	25.0	15
GD124010HB	2BALL	12	7~13.2	6500	6.6	4.1	75	0.90	75000	3	29.0	15
GD124010EB	2BALL	12	7~13.2	7500	8.1	5.4	100	1.20	65000	2	34.5	15
GD124010EB	2BALL	12	7~13.2	8500	9.2	6.4	120	1.44	65000	1	37.0	15
GD244010LB	2BALL	24	12~26.4	4500	4.5	2.0	50	1.20	80000	5	21.5	15
GD244010MB	2BALL	24	12~26.4	5500	5.3	2.9	60	1.44	80000	4	25.0	15
GD244010HB	2BALL	24	12~26.4	6500	6.6	4.1	70	1.68	75000	3	29.0	15